

HOT LINK™ XL Instructions

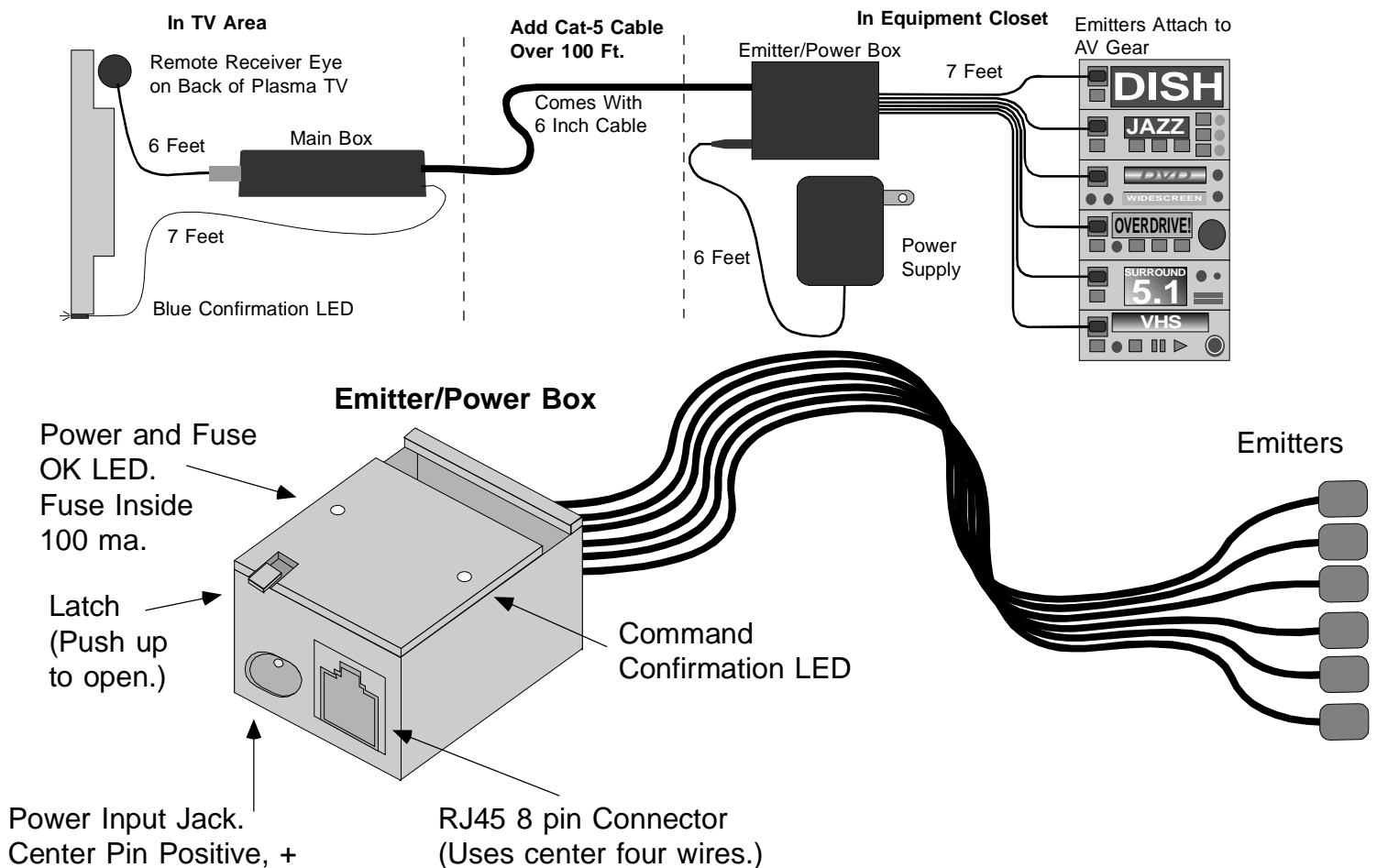
Microsmith
WWW.HOT-LINK.COM INC.

Use this Addendum for Hot Link XL with the Instructions for Hot Link Pro

1. Apply Hot Link Eye, Main Box and Blue LED per instructions in Hot Link Pro Instructions in TV viewing area.
2. Apply Emitters on equipment in remote location per instructions in Emitter section of Hot Link Pro Instructions.
3. Make the connection from the Main Box to the Emitter/Power Box using Category 5 or Category 6 Ethernet cable with Standard RJ45 connector. Do not use "reverse" or Computer to computer Ethernet cable. Phone cable with RJ11 6 pin connectors may be used but care must taken when installed as RJ45 connectors are larger than RJ11 connectors and may not align properly.

WARNING! Do not short wires or allow wire to be pinched within walls.

4. Plug in Power Supply to wall outlet and then plug in the DC 5mm connector in to Emitter/Power Box. Observe Confirmation LED on Emitter/Power Box blink once upon connection. Observe power LED stay on bright.
5. Operate equipment and observe both confirmation LEDs. One with Main Box, one on Emitter/Power Box



If Power LED is not on, check 100 milliampere fuse within Emitter/Power Box. Do not use fuse other than 100 ma.

This system uses the four center contacts of an RJ45 connector. It will function even if reverse wired, (1=4, 2=3) to accommodate telephone wire. Reverse Ethernet Cables can not be used.

6 More Emitters can be added to either end of this system using the Emitter Expansion Kit X6 which comes with an RJ45 connector "Y" that mates to the RJ45 connector on either the Main Box or the Emitter/Power Box.